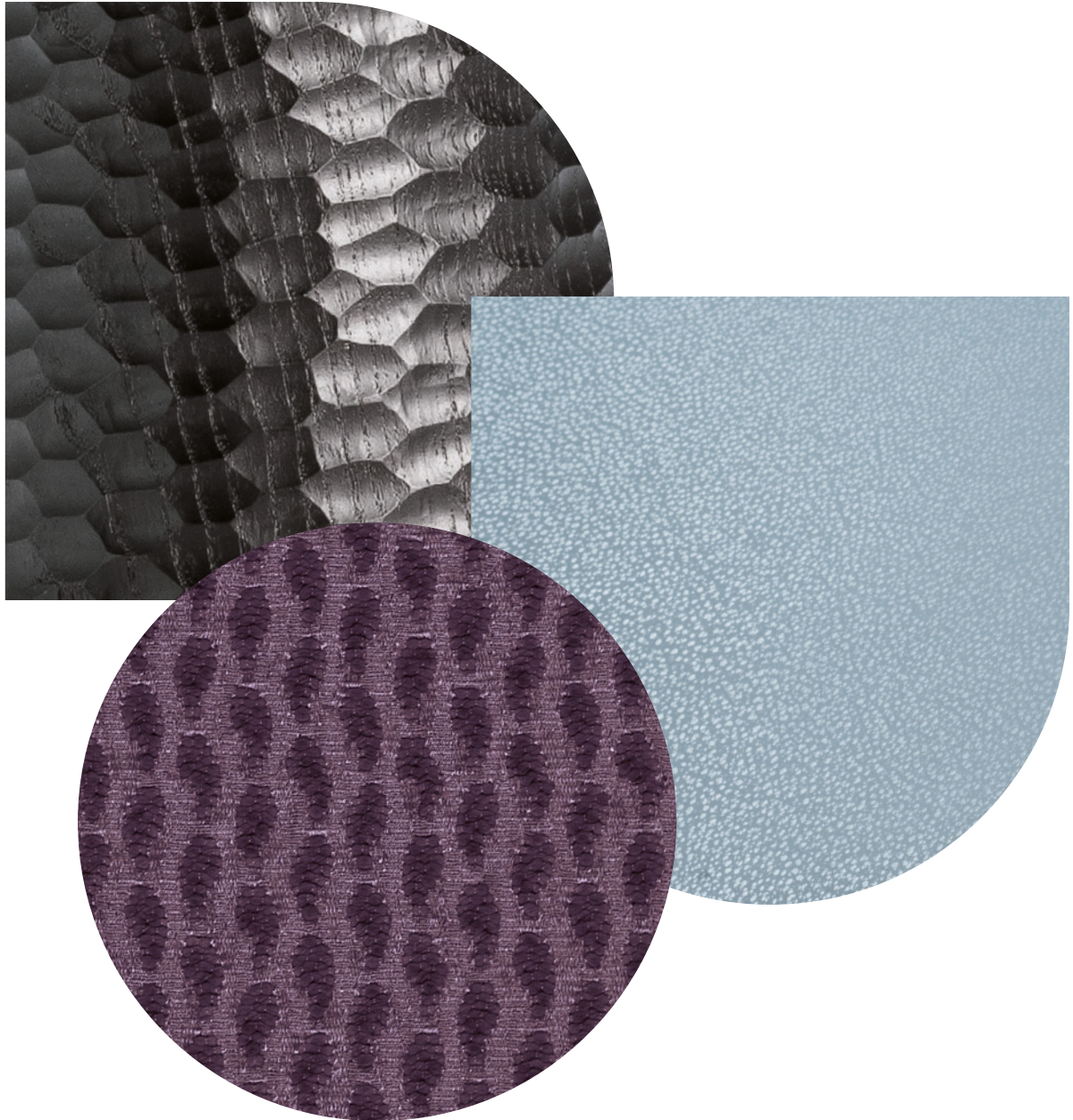


# DUO Collection

design by  
Roberto Lazzeroni



CECCOTTICOLLEZIONI



CECCOTTICOLLEZIONI



# DUO Collection

## Main Index

44	DUO Bench	46	DUO Low Table
56	DUO Bookcase	78	DUO Mirror
60	DUO Cabinet	52	DUO Pedestal Table
68	DUO Console	82	DUO Rug
72	DUO Floor Mirror	86	DUO Screen
74	DUO Lamp	34	DUO Sofa
28	DUO Lounge	88	DUO Trolley
		93	Translations and Technical Drawings

## Armchairs, Sofas



28 DUO Lounge



34 DUO Sofa

## Chairs, Small Armchairs, Stools



44 DUO Bench

## Tables, Small Tables, Desks



46 DUO Low Table



52 Duo Pedestal Table



56 DUO Trolley

## Bookcases, Storage Units



60 DUO Bookcase



64 DUO Cabinet

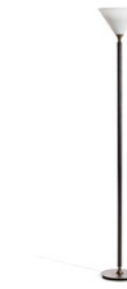


72 DUO Console

## Complementary Units, Accessories



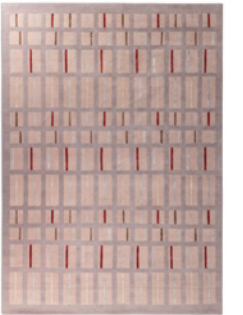
76 DUO Floor Mirror



78 DUO Lamp



82 DUO Mirror



86 Duo Rug



90 DUO Screen

# DUO Collection

The collection designed by Roberto Lazzeroni is the first chapter of the collaboration between the two Made in Italy excellences. The design synergy between Poltrona Frau and Ceccotti Collezioni is expressed by a range of products that encapsulates both their rich heritage and a shared creative vision toward the future.

The DUO Collection takes its name from the concept of union of two separate elements. Not simply the sum two individuals, it represents "two experiences that generate a common thought." In Duo, individuality does not lose its identity; it is enhanced in the shared creative act.

The collection develops from two seemingly opposite concepts, Memory and Innovation. The two paths, one enhancing the past and one projected to new contemporary horizons, find their meeting point in a line of timeless, universal objects of minimalist elegance.

The atmosphere that inspired the development of the DUO Collection is the Italian Dolce Vita, evocative of a carefree lifestyle that is naturally elegant and inclined to the pleasure of social interaction. The products are designed to furnish a romantic and cozy living room, inspired by the Italian "salotti" of the fifties, a period of rebirth and post-war intellectual and creative buzz. Silhouettes with a retro flair that capture the zeitgeist of the past, yet perfectly adaptable to contemporary contexts thanks to the versatile soft shapes, accurate proportions, and high-quality material finishes.











↑ DUO Trolley, bronzed glass upper top, coloured glass NCS S 3005Y50R Tortora lower top, with ash in a Wenge stain structure

↗ DUO Console, top coloured glass NCS S 4005G20Y Celadon with ash in a Wenge stain structure







↑ DUO High Cabinet, 2 doors in ebony with ash in a Wenge stain structure



↑ DUO Low Table, Ash in a Wenge stain structure.  
Low table H 50 with coloured glass top  
NCS S5040Y80R Rosso Cina



↑ ↗ DUO Low Table, Ash in a Wenge stain structure.  
Low table H 36 with coloured glass top  
NCS S3005Y50R Tortora



↑ DUO Bookcase, Top in coloured glass NCS S 3502Y Grigio with ash in a Wenge stain structure

↗ DUO Lounge, armchair upholstered in Ziggy fabric col. Red Onion with ash in a Wenge stain structure



↑ DUO Pedestal Table, Top in Calacatta marble with ash in a Wenge stain structure.

↑ DUO Lamp in ash in a Wenge stain structure



↑ DUO Bench Pelle Frau® Velvety Gray Salt with ash in a Wenge stain structure

↑ DUO Bench fabric Ziggy Red Onion with ash in a Wenge stain structure



↑ DUO Lounge, armchair upholstered in Pelle Frau® SC 177 Limo with ash in a Wenge stain structure

↑ DUO Lounge, armchair upholstered in Mollis fabric col.1A Milk with ash in a Wenge stain structure



Similarly, the armchair DUO Lounge features soft and generous yet light lines thanks to the visible solid ash wood frame that visually winds along the sides to form the legs, providing a contrast of volumes and textures.



↖ ↗ DUO Lounge, armchair upholstered in Pelle Frau® SC  
177 Limo with ash in a Wenge stain structure

Roberto Lazzeroni  
DUO Lounge





↑ DUO Lounge, armchair upholstered in Pelle Frau® SC 177 Limo with ash in a Wenge stain structure

↗ DUO Lounge, armchair upholstered in Mollis fabric col.1A Milk with ash in a Wenge stain structure





↖ DUO Lounge, armchair upholstered in Mollis fabric col.1A Milk with ash in a Wenge stain structure

↖ ↑ DUO Lounge, armchair upholstered in Ziggy fabric col. Red Onion with ash in a Wenge stain structure

The cozy and sinuous DUO Sofa is available as a single two-seater, a "large" two-seater, or in curved modules to form rounded configurations. All options are designed to encourage sociability and enjoy the pleasure of sharing.

The sofa is upholstered with either removable fabric or an elegant combination of leather and fabric. The sofa's soft lines are a nod to the romanticism of Art Deco, while its flexible plywood structure, the use of recyclable materials, and the production technology encapsulate its contemporary appeal.



↖ ↗ Duo Sofa 2-seater sofa upholstered in Ziggy fabric col.2627 limon with round black feet

Roberto Lazzeroni  
DUO Sofa



↑ ↗ Duo Sofa 2-seater sofa upholstered in Ziggy fabric  
col.2627 limon with round black feet





↖ ↑ DUO Sofa, 3-seater sofa upholstered in Botè fabric col.13 Aubergine and back in Pelle Frau® SC 256 Ume with oval shaped feet in burnished and brushed aluminium



↑ DUO Sofa, composition upholstered in Mollis fabric col. 27B Fog with oval shaped feet in burnished and brushed aluminium



↖ ↑ DUO Sofa, composition upholstered in Mollis fabric col. 27B Fog with oval shaped feet in burnished and brushed aluminium

The DUO Bench is a small solid ash bench with a slightly curved shape, with the seat upholstered in fabric or leather.



↖ DUO Bench, upholstered in Pelle Frau® SC 254 Steel Blue with ash in a Moka stain structure



↑ DUO Bench, (on the left side) upholstered in Pelle Frau® Velvety Gray Salt with ash in a Wenge stain structure

DUO Bench, (in the center) upholstered in Fabric Ziggy Red Onion with ash in a Wenge stain structure

Roberto Lazzeroni  
DUO Bench



The same architectural silhouette can be found in the DUO Low Tables, made in different heights and with a square, rectangular, or round top. The coffee table top rests lightly on the enveloping wooden frame, which has wide and slender legs, in a modernization of the classic mid-century coffee table.



↑ DUO Low Table, ash in a Wenge stain structure. Low table H 50 with Top in coloured glass NCS S5040Y80R Rosso Cina. Low table H 36 with Top in Calacatta marble



↑ DUO Low Table, ash in a Wenge stain structure. Low table D 80 with Top in coloured glass NCS S8010R90B Blu

DUO Low Table, ash in a Wenge stain structure. Low table D 120 with Top in coloured glass NCS S4005G20Y Celadon

## Roberto Lazzeroni DUO Low Table



↑ DUO Low Table, Top in in coloured glass  
NCS S4005G20Y Celadon with ash in  
a Wenge stain structure



↑ DUO Low Table, ash in a Wenge stain structure.  
Low table H 50 with Top in coloured glass  
NCS S5040Y80R Rosso Cina

↑ DUO Low Table, ash in a Wenge stain structure.  
Low table H 36 with Ash Top in a Wenge stain



↑ ↗ DUO Low Table, Top in Total Calacatta marble with ash in a Wenge stain structure



The DUO Pedestal Table, with its round top in two different sizes, features a big sculptural base with a hand-crafted carving motif, making each piece unique and offering an aesthetically striking solution.



↖ DUO Pedestal Table, low table top in Calacatta Marble with ash in a Wenge stain structure



↑ DUO Pedestal Table, low table top in coloured glass NCS S3502Y | Grigio with ash in a Moka stain structure

Roberto Lazzeroni  
DUO Pedestal Table



↑ DUO Pedestal Table, low table with ash in a Moka stain structure. Low table H 41 with coloured glass top NCS S8010R90B | Blu

DUO Pedestal Table, low table with ash in a Moka stain structure. Low table H 55 with coloured glass top NCS S3502Y | Grigio



↑ DUO Pedestal Table, low table with ash in a Wenge stain structure

The DUO Trolley features the evocative aesthetics of an old-fashioned romanticism: its double tray (the top one in glass, the bottom one in wood, coloured glass, or marble) and bronzed brass details recall the atmosphere of luxury clubs and cocktail bars of the past.



↖ ↑ DUO Trolley, transparent glass upper top, coloured glass NCS S4005G20Y | Celadon lower top, with ash in a Wenge stain structure

Roberto Lazzeroni  
DUO Trolley



↑ DUO Trolley, Wheels and metal trim details in brass with a bronze finish

↗ DUO Trolley, Smoked glass upper top, Calacatta marble lower top with ash in a Wenge stain structure



The Duo Bookcase, with either two or four shelves, is a furniture element with an architectural approach, in which the solid ash frame with staggered uprights is softened by the slightly rounded shapes of the shelves (which can be made of wood, coloured glass, or marble).



↑ DUO Bookcase, Top in coloured glass NCS S3005Y50R  
Tortora with ash in a Wenge stain structure

Roberto Lazzeroni  
DUO Bookcase





↑ DUO Bookcase, Top in coloured glass NCS S5040Y80R | Rosso Cina with ash in a Wenge stain structure



↑ DUO Bookcase, top of the uprights in painted metal shaded bronze

The DUO Cabinet is the storage cabinet available in three versions: high cabinet, low cabinet with two doors and single Bar basket, and two doors and double Bar basket.

The design reinterprets the classic 1950s sideboard: the elegant solid wood structure is lightened by the use of spacers between the base and the cabinet, making the piece visually sleek and contemporary. Available finishes are ebony, natural walnut, or inlaid walnut, which gives it a textured, three-dimensional look. The inside of the cabinet is in maple, which provides a contrast to the outer darker shade.



↑ DUO High Cabinet, 2 doors in ebony with ash in a Wenge stain structure



↗ DUO Low Cabinet, 2 doors and double Bar basket in walnut inlaid with ash in a Wenge stain structure

Roberto Lazzeroni  
DUO Cabinet



↑ DUO Cabinet, top of the uprights in painted metal shaded bronze



↑ DUO Low Cabinet, 2 doors and single Bar basket in walnut inlaid with ash in a Wenge stain structure and Calacatta marble top

DUO Internal drawer Low Cabinet, in maple with ash partition in a Wenge stain and drawer bottom in Pelle Frau@SC 173 Glauco



↑ DUO low Cabinet, with internal parts in maple



↗ DUO high Cabinet, with internal parts in maple and accessories in ash in a Wenge stain



↑ DUO high Cabinet, internal drawer in ash in a wengè stain with partition in maple and drawer bottom in Pelle Frau® SC 173 Glauco



↑ DUO Cabinet, handles in painted metal shaded bronze

Like the DUO Bookcase the DUO Console is a furniture element with an architectural approach, in which the solid ash frame with staggered uprights is softened by the slightly rounded shapes of the shelves (which can be made of wood, coloured glass, or marble).



↖ ↑ DUO Console, Calacatta marble upper top, coloured glass NCS S5040Y80R | Rosso Cina lower top, with ash in a Wenge stain structure

Roberto Lazzeroni  
DUO Console



↑ DUO Console, Calacatta marble upper top, coloured glass NCS S5040Y80R | Rosso Cina lower top, with ash in a Wenge stain structure



↗ DUO Console, with ash in a Wenge stain structure

DUO Floor Mirror features a special decoration on the frame handcrafted with the gouge carving technique.



↖ ↑ DUO Floor Mirror, ash in a Wenge stain structure

Roberto Lazzeroni  
**DUO Floor Mirror**



The DUO Lamp is the freestanding lighting solution with inverted cone diffuser in white opaline glass and tapered stem in caneté-worked wood, whose design is a nod to the unforgettable geometry of 1950s Italian design icons.



Roberto Lazzeroni  
**DUO Lamp**



↑ ↗ DUO Lamp, cannetè worked ash in a Wenge stain structure with metal trim details painted shaded bronze



To complete the collection, the DUO Mirrors are rectangular, round, or square wall mirrors with stained ash wood frame.



↖ ↑ DUO Mirror, ash in a Wenge stain structure

Roberto Lazzeroni  
**DUO Mirror**

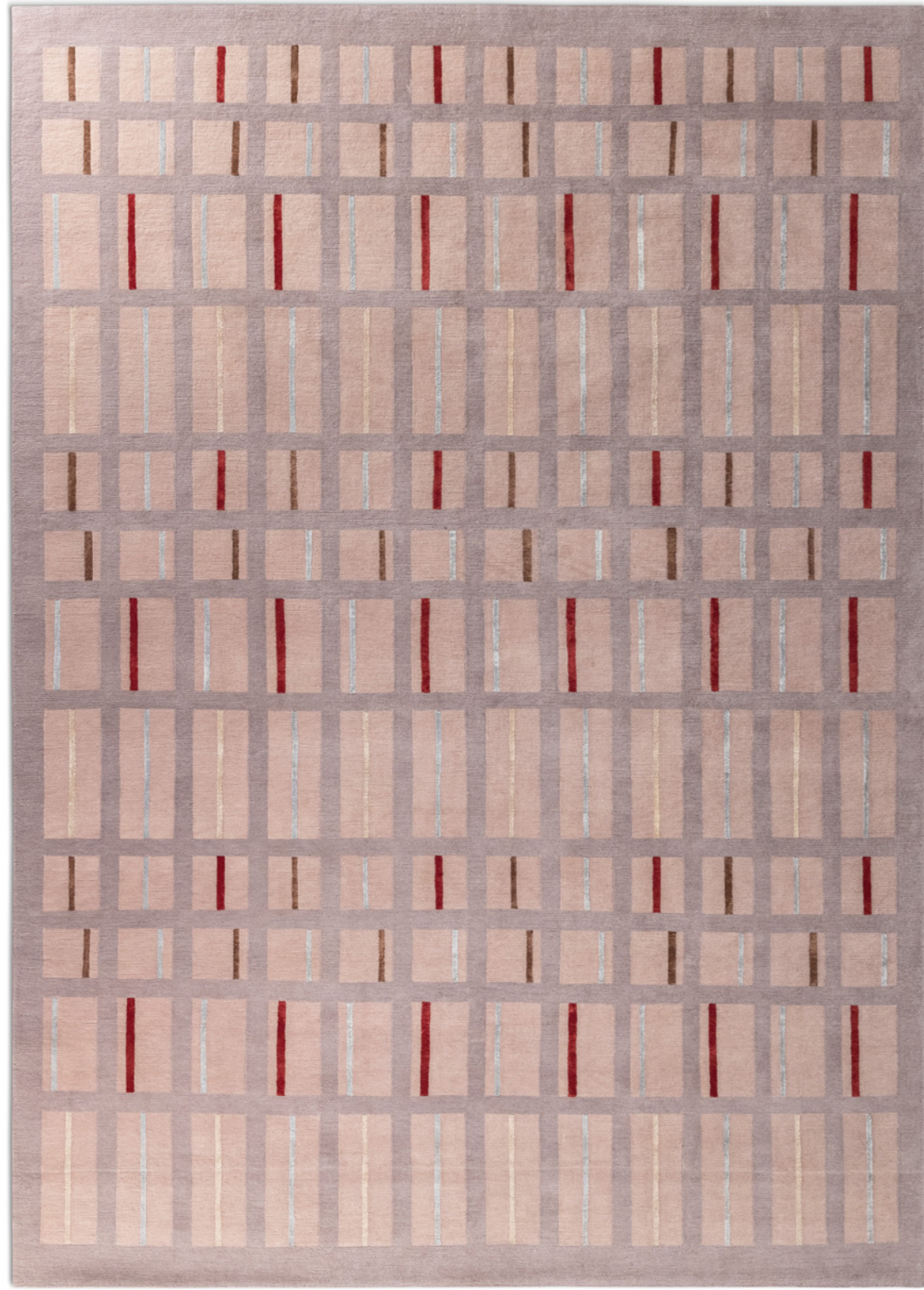


The DUO Rug, in wool and silk, has an elegant geometric pattern available in two shades, Poudre and Dusk Blue, matching perfectly with the hues of the fabrics on the upholstered pieces.

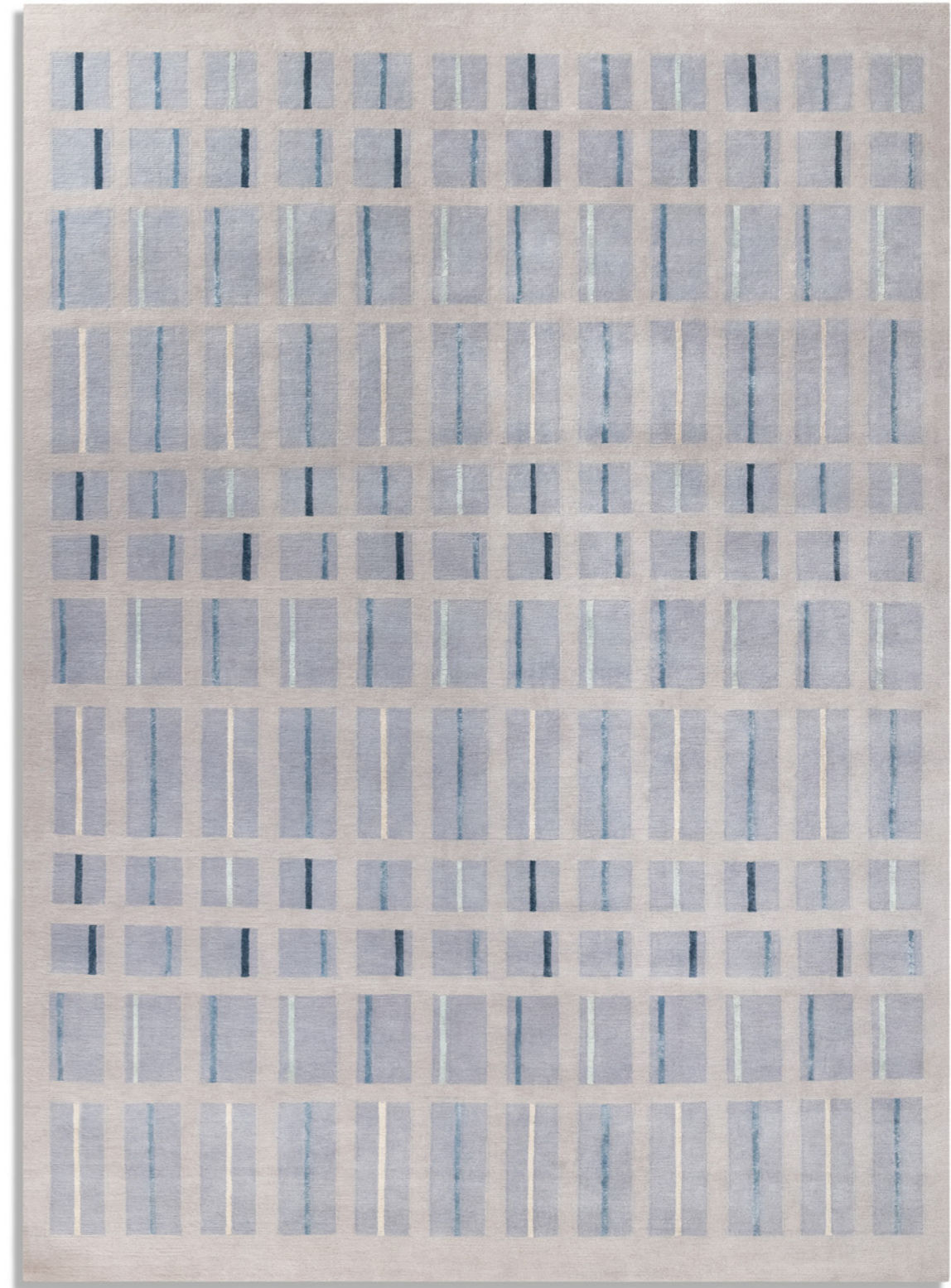


Roberto Lazzeroni  
DUO Rug

↑ DUO Rug, 350x250 rug col. Poudre



↑ DUO Rug, 350×250 rug col. Poudre



↗ DUO Rug, 350×250 rug col. Dusk Blue

The DUO Screen is the wood-framed divider that can easily adapt to the most diverse domestic contexts thanks to the possibility of fully customizing the panels with wallpaper or fabric.



↖ ↗ DUO Screen, room divider composition of 4 modules with ash in a Wenge stain structure and covering in wallpaper Puro 27000A Mushroom

Roberto Lazzeroni  
DUO Screen



- 94 Italian translation
- 94 French translation
- 95 Chinese translation

# Translations DUO Collection



IT

La collezione disegnata da Roberto Lazzeroni rappresenta il primo capitolo della collaborazione tra i due brand, la cui sinergia progettuale è espressa attraverso una gamma di prodotti che racchiudono il passato e il presente delle due aziende eccellenze del Made in Italy.

La **DUO Collection** prende il nome dal concetto di unione di due elementi che non corrisponde alla semplice somma dei singoli, ma rappresenta «due esperienze che generano un pensiero comune». In Duo, la singolarità non perde la propria identità, ma viene esaltata nell'atto creativo condiviso. La collezione si sviluppa a partire da due concetti apparentemente opposti, la **Memoria** e l'**Innovazione**. I due percorsi, quello che porta alla valorizzazione del passato e quello che si proietta verso nuovi orizzonti contemporanei, trovano il loro punto d'incontro in una linea di oggetti senza tempo, trasversali e dall'eleganza essenziale.

L'atmosfera che ha ispirato lo sviluppo della DUO Collection è quella della Dolce Vita italiana, evocativa di uno stile di vita spensierato, naturalmente elegante e incline al godersi il piacere della socialità. I prodotti sono pensati per dare forma a un ambiente living romantico e accogliente, ispirato ai “salotti” degli anni ‘50 di un'Italia in rinascita e in pieno fermento intellettuale e creativo post-bellico. Silhouette dal sapore retrò che colgono lo spirito del tempo, eppure perfettamente adattabili anche ai contesti domestici contemporanei grazie alla versatilità delle forme morbide, delle accurate proporzioni e delle preziose scelte materiche per le finiture.

Il **DUO Sofa**, accogliente e sinuoso, è disponibile in versione singola a due posti, due posti "large" o a moduli componibili curvilinei a formare delle configurazioni arrotondate che invitano alla socialità e al piacere della condivisione. Preziosi rivestimenti in tessuto sfoderabile oppure ricercati abbinamenti della pelle al tessuto costituiscono la preziosa seconda pelle della seduta. Le linee morbide del divano strizzano l'occhio al romanticismo dell'Art Déco, mentre la sua struttura flessibile in multistrato, l'uso di materiali riciclabili e la tecnologia di produzione ne racchiudono tutta la contemporaneità.

Allo stesso modo, la **DUO Lounge** è la poltrona caratterizzata da linee soffici e generose eppure leggere, grazie alla solida struttura in legno massello di frassino tinto moka o wenge a vista che si snoda visivamente lungo i fianchi a comporre le gambe, in un contrasto di volumi e matericità che la rende ideale per sia per accompagnare il divano sia per vivere in autonomia.

Il **DUO Rug**, in lana e seta, presenta un elegante pattern geometrico disponibile in due tonalità, Poudre e Dusk Blue, che si sposano perfettamente con le tonalità dei tessuti di rivestimento degli imbottiti.

Il **DUO Cabinet** è il mobile contenitore declinato in tre versioni: high cabinet, low cabinet a due ante e cestello Bar e a due ante e due cestelli Bar. Il design rivisita la classica credenza anni Cinquanta: l'elegante struttura in legno massello è alleggerita grazie all'utilizzo di distanziali tra la base e il contenitore, che rendono il mobile visivamente slanciato e contemporaneo. La finitura del contenitore è disponibile in ebano, noce naturale oppure in noce intarsiato, che gli conferisce un aspetto texturizzato e tridimensionale. L'interno del contenitore è in acero, che contrasta con la tonalità più scura dell'esterno in un dualismo di materiali dal forte impatto visivo.

La **Duo Bookcase**, disponibile a due e a quattro ripiani, e la **DUO Console** sono elementi d'arredo dall'approccio architettuale, in cui la struttura in massello di frassino con montanti sfalsati è addolcita dalle forme leggermente stondate dei ripiani, che possono essere in legno, vetro verniciato oppure marmo. La stessa silhouette architeturale la si ritrova nei **DUO Low Table**, realizzati in diverse altezze e con piano quadrato, rettangolare oppure rotondo. Il top del tavolino poggia con leggerezza sulla struttura avvolgente in legno, che ha gambe larghe e sottili, in un'attualizzazione del classico coffee table Mid-Century.

L'estetica evocativa di un romanticismo d'altri tempi la si ritrova nel **DUO Trolley**, che col suo doppio ripiano (superiore in vetro, inferiore in legno, vetro verniciato oppure marmo) e i dettagli in ottone bronzato richiama le atmosfere dei lussuosi club e cocktail bar del passato.

Il tavolino **DUO Pedestal Table**, disponibile a catalogo con top tondo in due diverse misure, presenta un importante basamento scultoreo con motivo a intaglio realizzato a mano, che rende ciascun pezzo unico e offre una soluzione di grande impatto estetico. La **DUO Bench** è una piccola panca in massello di frassino dalla forma leggermente curva, con la seduta rivestita in tessuto o in pelle.

La piantana **DUO Lamp**, con il diffusore a forma di cono rovesciato in vetro opalino bianco e lo stelo affusolato in legno con lavorazione a canneté, strizza l'occhio alle geometrie indimenticabili del lighting design italiano degli anni Cinquanta.

Completa la zona living il complemento **DUO Screen**, il paravento con cornice in legno che può adattarsi facilmente ai contesti domestici più variegati grazie alla possibilità di personalizzare completamente i pannelli con la carta da parati o il tessuto che si preferisce. A concludere la collezione, i **DUO Mirror** sono gli specchi da parete, rettangolari, rotondi o quadrati, con cornice in legno di frassino tinto Wenge' e tinto Moka e il **DUO Floor Mirror**, che presenta una speciale decorazione sulla cornice realizzata a mano con la tecnica dell'intaglio a sgorbia.

FR

La collection imaginée par Roberto Lazzeroni constitue le premier chapitre de la collaboration entre les deux marques. Leur synergie conceptuelle se traduit par une gamme de produits qui recèlent en eux le passé et le présent des deux entreprises d'excellence du Made in Italy.

La **DUO Collection** tire son nom du concept d’union de deux éléments ne correspondant pas à la simple somme des deux mais représente « deux expériences qui engendrent une pensée commune ». Dans DUO, l’individualité ne perd pas son identité mais est sublimée dans l’acte de création partagé. La collection se développe à partir de deux concepts qui, en apparence, s’opposent : la « mémoire » et l'« innovation » Les deux parcours, celui qui mène à la valorisation du passé et celui qui se projette vers de nouveaux horizons contemporains, trouvent un point de rencontre dans une gamme d’objets intemporels, transversaux et à l’élégance minimaliste. L’ambiance qui a inspiré le développement de la **DUO Collection** est celle de la « dolce vita » italienne, évocatrice d’un style de vie empreint de désinvolture, à l’élégance intrinsèque et enclin à profiter au maximum du plaisir d’être ensemble. Les produits sont étudiés pour donner vie à un environnement living romantique et accueillant, inspiré des « salons » des années cinquante d'une Italie en pleine renaissance et en pleine effervescence intellectuelle et créative d’après-guerre. Des formes au style rétro qui capturent l’esprit du temps et qui, pourtant, sont aussi parfaitement adaptables aux habitations contemporaines grâce à la polyvalence des lignes douces, des proportions soignées dans le moindre détail et des matières nobles choisies pour les finitions.

Le canapé **DUO Sofa**, accueillant et courbe, est décliné en version simple à deux places, en deux places plus larges et en modules aménageables curvilignes pour créer des compositions arrondies invitant à la sociabilité et au plaisir de partager. De superbes revêtements en tissu déhoussable ou bien des associations recherchées entre cuir et tissu deviennent la précieuse seconde peau de l’assise. Les lignes douces du canapé sont un clin d’œil au romantisme de l'Art déco, tandis que la structure flexible en multiplis, l'utilisation de matériaux recyclables et la technologie de production portent en eux toute sa contemporanéité.

De la même manière, le fauteuil **DUO Lounge** est caractérisé par des lignes douces et généreuses. Mais il est également placé sous le signe de la légèreté grâce à sa structure solide et visible en frêne massif teinté Moka ou

Wengé qui s’articule le long des côtés pour former les pieds, dans un contraste de volumes et de matières qui en font l’idéal aussi bien pour accompagner le canapé que pour être utilisé seul.

Le tapis **DUO Rug**, en laine et soie, présente un élégant motif géométrique décliné dans deux tonalités, Poudre et Dusk Blue, qui se marient à la perfection avec les teintes des tissus des revêtements des éléments rembourrés. Le **DUO Cabinet** est un meuble de rangement décliné dans trois versions : high cabinet, low cabinet à deux portes, panier-bar et à deux portes et deux paniers-bar. Le design réinterprète le buffet classique des années cinquante : la structure élégante en bois massif est allégée grâce à des entretoises entre la base et le rangement, rendant le meuble visuellement plus élancé et contemporain. La finition du rangement existe en ébène, noyer naturel ou bien noyer incrusté qui confère au meuble un aspect texturisé et tridimensionnel. L’intérieur du meuble de rangement est en érable, en contraste avec la tonalité plus foncée de l’extérieur, et joue sur une dualité de matières très impactante sur le plan visuel.

La bibliothèque **Duo Bookcase**, qui existe en version à deux ou à quatre étagères, et la console **DUO Console** sont des éléments de mobilier à l’approche architecturale, où la structure en hêtre massif aux montants asymétriques est adoucie par les formes légèrement arrondies des étagères. Ces dernières peuvent être en bois, en verre peint ou encore en marbre.

Ces mêmes lignes architecturales se retrouvent dans les tables basses **DUO Low Table** déclinées en différentes hauteurs et avec un plateau carré, rectangulaire ou rond. Le plateau de la table basse s’appuie avec légèreté sur la structure enveloppante en bois qui présente des pieds larges et fins, pour une réinterprétation actuelle de la table basse Mid-Century classique. L’esthétique suggestive d’un romantisme révolu se retrouve dans le chariot **DUO Trolley** qui, avec sa double étagère (supérieure en verre, inférieure en bois, verre peint ou marbre) et ses détails en laiton effet bronze, rappelle les ambiances typiques des prestigieux clubs privés et des bars à cocktail d’antan.

La table basse **DUO Pedestal Table** qui existe avec plateau rond de deux tailles différentes, présente un piétement architectural imposant reprenant un motif sculpté à la main à la gouge, rendant chaque pièce unique, et offrant une solution du plus bel effet esthétique. Le **Duo Bench**

est un petit banc en hêtre massif à la forme légèrement courbée, dont l’assise est revêtue de tissu ou de cuir. La lampe de sol **DUO Lamp**, avec son diffuseur en forme de cône renversé en opaline blanche et son pied fuselé en bois cannelé, est un clin d’œil aux géométries mémorables du lighting design italien des années cinquante.

Pour parachever le mobilier du living, voici le paravent **DUO Screen**, dont le cadre en bois s’adapte aisément aux contextes domestiques les plus divers grâce à la possibilité de personnaliser entièrement les quatre panneaux avec du papier peint ou le tissu de son choix. Enfin, pour terminer la collection, nous vous présentons les **DUO Mirror**. Il s'agit de miroirs muraux, rectangulaires, ronds ou carrés, dont le cadre est en hêtre teinté et le **DUO Floor Mirror**, un miroir qui présente une décoration spéciale sur le cadre réalisée à la main avec la technique de sculpture à la gouge.

ZH

两大意大利知名品牌联袂合作，由Roberto Lazzeroni担纲设计，开启联名合作系列的首个篇章。系列设计融合Poltrona Frau与Ceccotti Collezioni的品牌特质，展现两大品牌悠久传承的同时，亦彰显出双方对未来的共同畅想。

DUO系列的命名灵感源自两个独立元素相互融合的概念。这并非简单的个体相加，而是“以两种体验激发相同理念”。Duo系列保留了独立元素原本的特质，并通过协同创作为其增添个性。该系列巧妙融合回忆与创新这两个看似相悖的概念，在升华过往的同时开拓崭新当代视野，两者交织融汇，塑造精致典雅的系列作品。DUO系列的研发，从意大利甜蜜生活理念中汲取灵感，旨在颂扬无忧无虑、优雅自在的生活方式，让人尽享社交互动带来的愉悦之感。系列作品适合装点浪漫惬意的客厅，灵感源自五十年代的意大利“会客室”，当时正处于战后重建期，文化与创意领域一派繁荣景象。廓形满蕴复古气息，巧妙捕捉过往的时代精神；造型柔和百搭，比例拿捏精到，材质饰面品质优良，可灵活装点各类现代环境。

a gouge. DUO沙发曲线优美且质感舒适，提供二人位沙发、二人位大沙发或弧形模块沙发组合等丰富款式，旨在营造社交氛围，让人们体会分享的愉悦。沙发配有可拆卸布艺套面或优雅的皮革配布艺套面。沙发线条柔和，旨在致敬装饰艺术的浪漫情调，选用灵活的多层板结构，结合再生材质和精湛制造工艺，尽显现代魅力。

DUO扶手椅线条同样柔和大气，同时不失轻盈质感。这款扶手椅的白蜡木实木框架格外醒目，沿两侧一路延伸至支腿，与整体造型及纹理构成鲜明对比。DUO地毯甄选羊毛和桑蚕丝精制而成，饰以优雅几何图案，提供Poudre和Dusk Blue两种配色，与家具布艺套面的色调相得益彰。

DUO橱柜为储物橱柜，有三种款式可选：高柜、配有单门置物篮的双门矮柜、配有双门置物篮的双门矮柜。该设计重新演绎1950年代的经典餐具柜：底座和橱柜之间以隔板隔开，令优雅的实木结构更添轻盈之感，作品外观更显利落时髦。饰面有鸡翅木、天然胡桃木及镶嵌胡桃木可选，赋予橱柜立体纹理质感。橱柜内侧选用枫木，与外侧的深色调对比鲜明。

双搁架款或四搁架款Duo书柜以及DUO桌案采用富有建筑感的设计风格，搁架可选用木材、彩绘玻璃或大理石材质，造型略显圆润，令配有交错立柱的白蜡木实木框架更显柔和。

DUO矮桌采用同样的建筑感廓形，有不同高度可选，搭配方形、矩形或圆形桌面。咖啡桌台面质感轻盈，置于具有包覆感的木质框架之上，搭配纤薄的宽桌腿，再现世纪中期咖啡桌的古典韵味。DUO流动储物柜采用双托盘设计，上层为玻璃托盘，下层托盘可选择木质、彩绘玻璃或大理石材质，饰以古铜色黄铜细节，让人联想起往昔豪华俱乐部和鸡尾酒吧的氛围，流露浪漫复古情调。

DUO柱脚桌提供两种不同尺寸的圆形桌面，醒目的雕塑感底座饰以手工雕刻图案，令每张桌子都别具个性，成就美观的家居装饰方案。DUO长凳造型小巧，甄选白蜡木实木材质，略呈弧形，座面采用布艺或皮革套面。

DUO灯具可提供独立式照明解决方案，搭配乳白色倒锥形玻璃灯罩和罗纹装饰木质锥形灯杆，灵感源于1950年代意大利经典设计杰作中令人难忘的几何造型。

DUO屏风采用木质框架，四块隔板可选用壁纸或布艺装饰，极具个性定制风范，可灵活装点各种家居环境。DUO镜子包含一系列矩形、圆形或方形壁挂镜，配有染色白蜡木框架；DUO落地镜的框架以手工凿槽工艺打造，装饰别具匠心；这两款镜子令整个系列更臻完善。

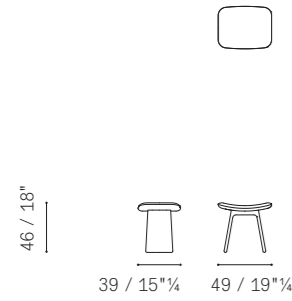
95

98	DUO Bench	101	DUO Low Table
98	DUO Bookcase	103	DUO Mirror
99	DUO Cabinet	104	DUO Pedestal Table
99	DUO Console	104	DUO Rug
99	DUO Floor Mirror	105	DUO Screen
100	DUO Lamp	106	DUO Sofa
100	DUO Lounge	107	DUO Trolley

# Technical Drawings

## DUO Collection

## DUO Bench — Bench

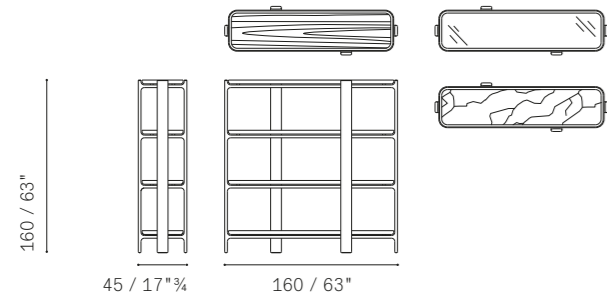


## DUO Bench — Finishes

Structure. In solid wood:  
 - Ash in a wenge stain  
 - Ash in a moka stain

Upholstery. Entirely in Pelle Frau® leather or fabric.  
 - ColorSphere® (SC)  
 - Heritage  
 - Nest  
 - Soul  
 - Natural leather  
 - Velvety  
 - Fabric A  
 - Fabric B  
 - Fabric C  
 - C.O.M.

## DUO Bookcase — Bookcase 160×45 h160



## DUO Bookcase — Finishes

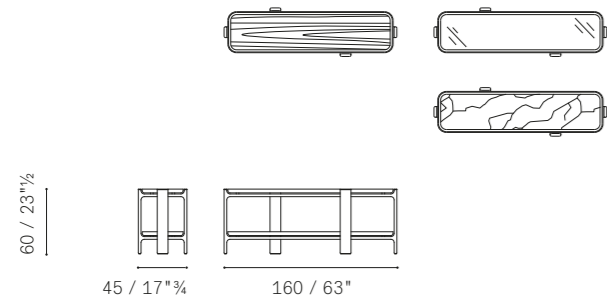
Dimensions:  
 - 160×45 h160 cm  
 - 160×45 h60 cm

Structure and shelf frame. In solid wood:  
 - Ash in a wenge stain  
 - Ash in a moka stain

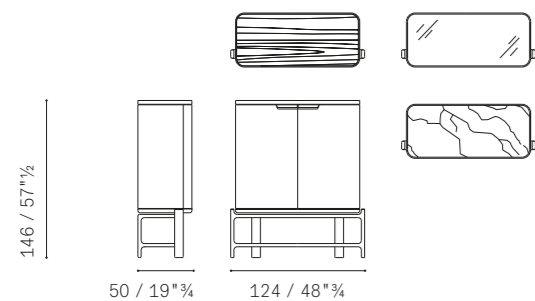
Top:  
 - Ash in a wenge or moka stain (same finish as the one chosen for the structure)  
 - Coloured glass  
 - Semi-gloss Calacatta marble

Aesthetic details. The bookcase can have shelves with different finishes

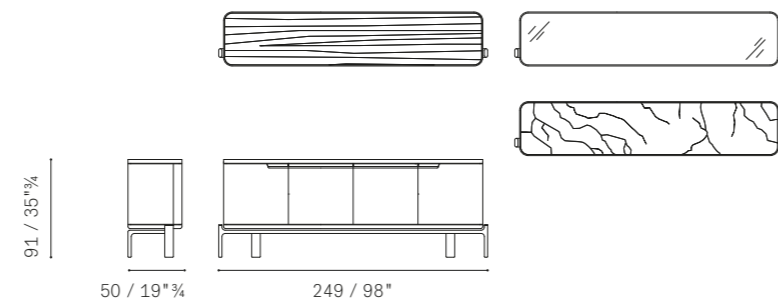
## DUO Bookcase — Bookcase 160×45 h60



## DUO Cabinet — High cabinet

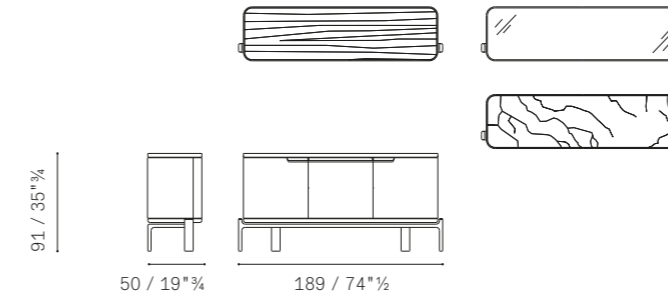


## DUO Cabinet — Low cabinet 249×50 h91



Please note:  
 this catalogue shows only some technical drawings, in order  
 to know all the availabilities please refer to the current price list.

## DUO Cabinet — Low cabinet 189×50 h91



## DUO Cabinet — Finishes

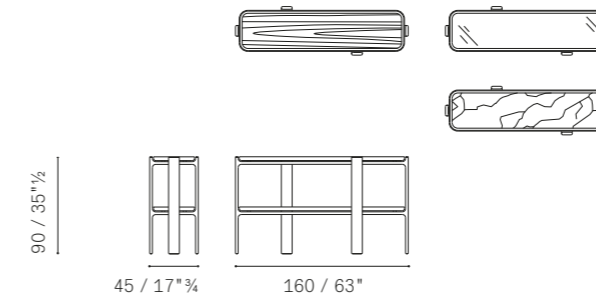
Dimensions:  
 - High Cabinet 124×50 h 146 cm  
 - Low Cabinet 189×50 h 91 cm  
 - Low Cabinet 249×50 h 91 cm

Structure and shelf frame. In solid wood:  
 - Ash in a wenge stain  
 - Ash in a moka stain

External part of cabinets in:  
 - Ebony  
 - Natural walnut  
 - Inlaid walnut

Top:  
 - Ash in a wenge or moka stain (same finish as the one chosen for the structure)  
 - Semi-gloss Calacatta marble  
 - Coloured glass

## DUO Console — Console 160×45 h90



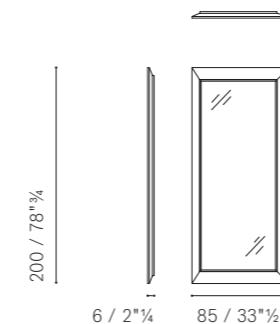
## DUO Console — Finishes

Structure and shelf frame. In solid wood:  
 - Ash in a wenge stain  
 - Ash in a moka stain

Top:  
 - Ash in a wenge or moka stain (same finish as the one chosen for the structure)  
 - Coloured glass  
 - Semi-gloss Calacatta marble

Aesthetic details. The console can have shelves with different finishes

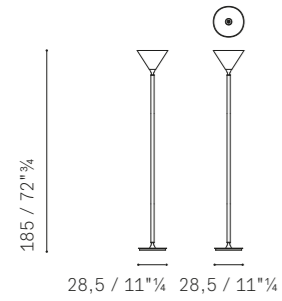
## DUO Floor Mirror — Floor Mirror



## DUO Floor Mirror — Finishes

Frame. In solid wood:  
 - Ash in a wenge stain  
 - Ash in a moka stain

**DUO Lamp** — Floor lamp

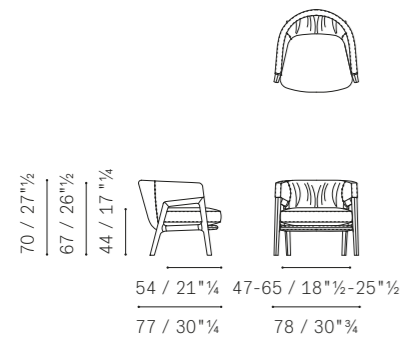


**DUO Lamp** — Finishes

Structure. In solid wood:  
 - Ash in a wenge stain  
 - Ash in a moka stain

Certifications:  
 -EU/EXTRA EU  
 -USA

**DUO Lounge** — Armchair



**DUO Lounge** — Finishes

Base finish. In solid wood:  
 - Ash in a wenge stain  
 - Ash in a moka stain

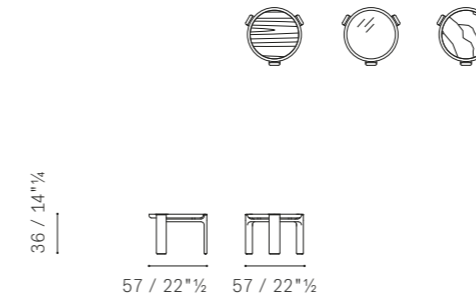
Upholstery. Entirely in Pelle Frau® leather or fabric.  
 - ColorSphere® (SC)  
 - Nest  
 - Soul  
 - Velvety  
 - Fabric A  
 - Fabric B  
 - Fabric C  
 - C.O.M.

Removability. Only for the seat cushion with leather and fabric cover.

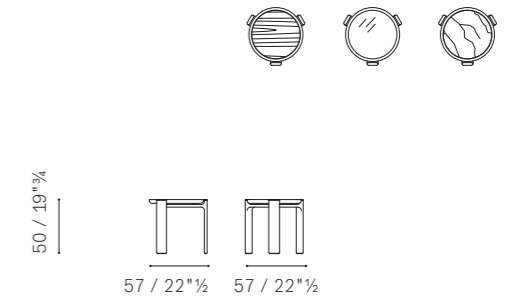
Aesthetic details. The stitching is tone-on-tone.

Please note:  
 this catalogue shows only some technical drawings, in order  
 to know all the availabilities please refer to the current price list.

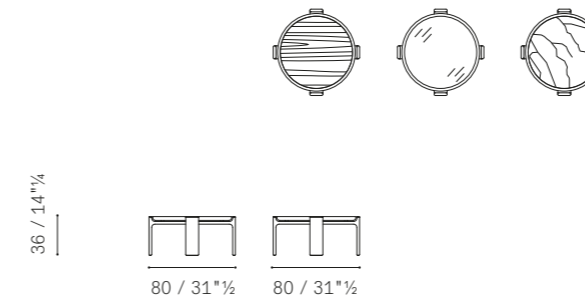
**DUO Low Table** — Coffee table ø57 h36



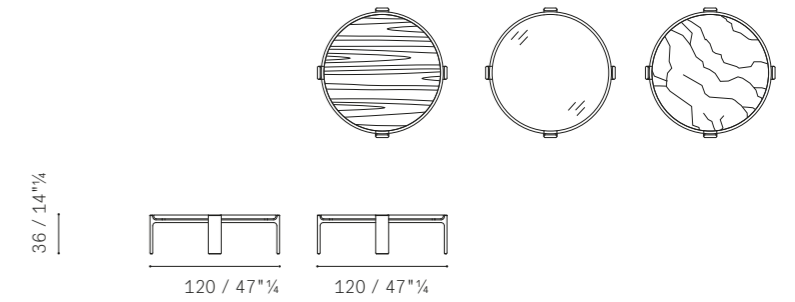
**DUO Low Table** — Coffee table ø57 h50



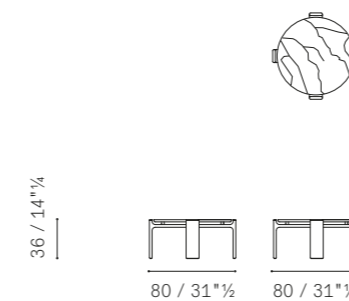
**DUO Low Table** — Coffee table ø80 h36



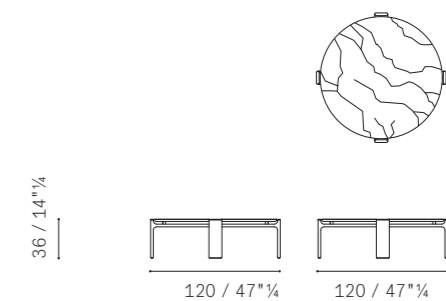
**DUO Low Table** — Coffee table ø120 h36



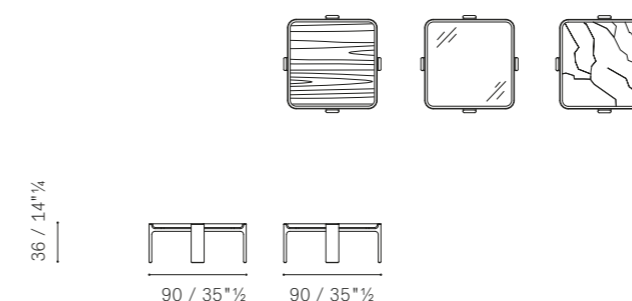
**DUO Low Table** — Coffee table total marble ø80 h36



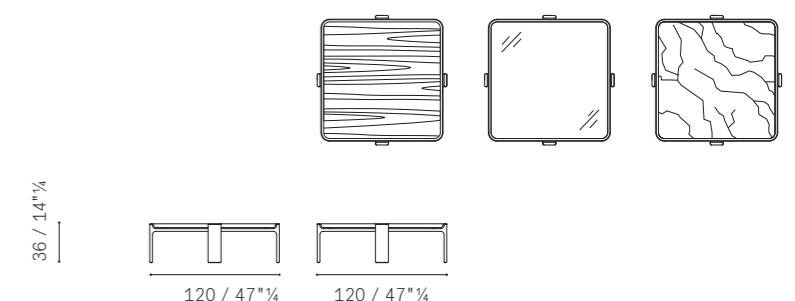
**DUO Low Table** — Coffee table total marble ø120 h36



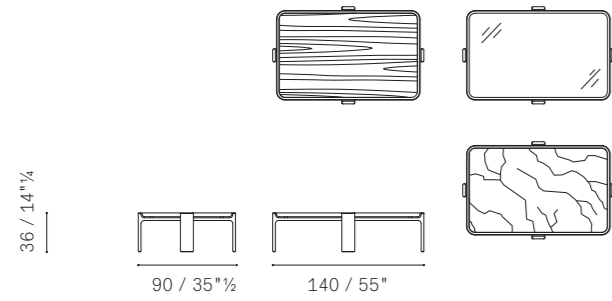
**DUO Low Table** — Coffee table 90×90 h36



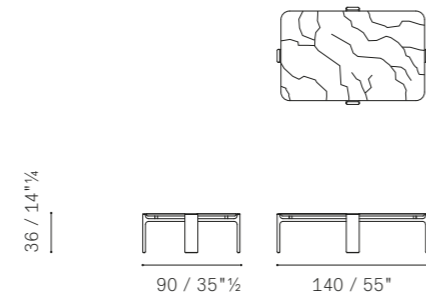
**DUO Low Table** — Coffee table 120×120 h36



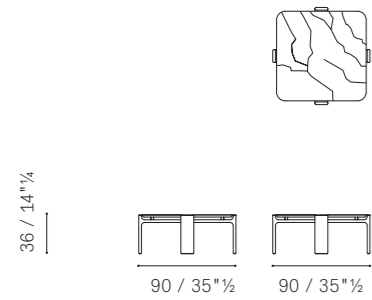
**DUO Low Table** — Coffee table 140×90 h36



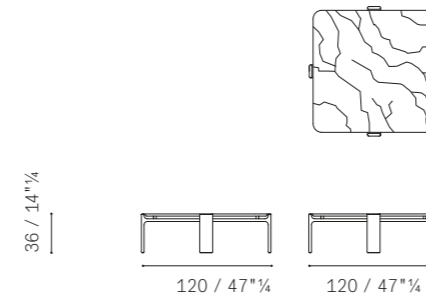
**DUO Low Table** — Coffee table total marble 140×90 h36



**DUO Low Table** — Coffee table total marble 90×90 h36



**DUO Low Table** — Coffee table total marble 120×120 h36



**DUO Low table** — Finishes

**Dimensions:**

- ø 57 h 36
- ø 57 h 50
- ø 80 h 36 | ø 80 h 36 Total Marble
- ø 120 h 36 | ø 120 h 36 Total Marble
- 90×90 h 36 | 90×90 h 36 Total Marble
- 120×120 h 36 | 120×120 h 36 Total Marble
- 140×90 h 36 | 140×90 h 36 Total Marble

**Structure and shelf frame.** In solid wood

- Ash in a wenge stain
- Ash in a moka stain

**Top:**

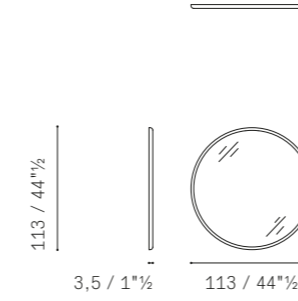
- Ash in a wenge or moka stain (same finish as the one chosen for the structure)
- Semi-gloss Calacatta marble
- Coloured glass
- Total semi-gloss Calacatta marble (not available in the ø 57 size)

**Aesthetic details.**

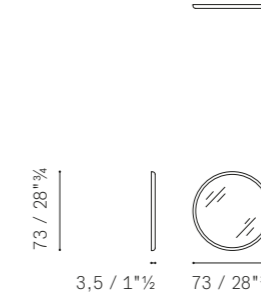
In the Total Calacatta marble version there is no solid ash frame.

Please note:  
this catalogue shows only some technical drawings, in order  
to know all the availabilities please refer to the current price list.

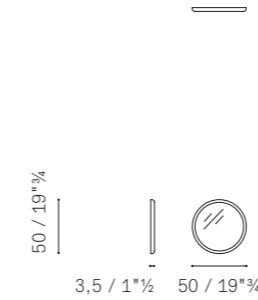
**DUO Mirror** — Mirror ø113×3,5



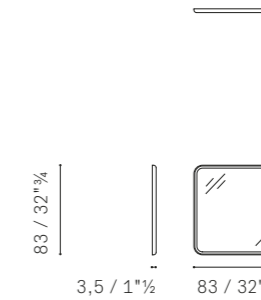
**DUO Mirror** — Mirror ø73×3,5



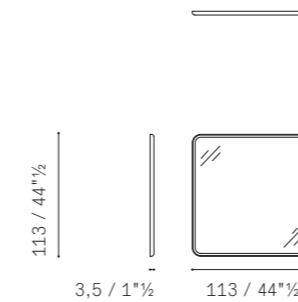
**DUO Mirror** — Mirror ø50×3,5



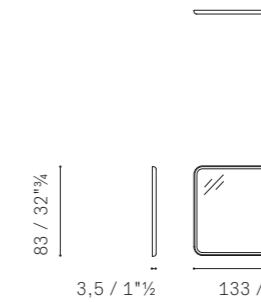
**DUO Mirror** — Mirror 83×3,5 h83



**DUO Mirror** — Mirror 113×3,5 h113



**DUO Mirror** — Mirror 113×3,5 h83



**DUO Mirror** — Finishes

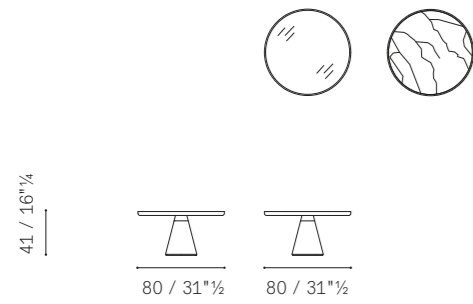
**Dimensions:**

- 113×3.5 h 113 cm
- 83×3.5 h 83 cm
- 133×3.5 h 83 cm
- D113 W 3.5 cm
- D73 W 3.5 cm
- D50 W 3.5 cm

**Frame.** In solid wood:

- Ash in a wenge stain
- Ash in a moka stain

## DUO Pedestal Table — Coffee table ø80 h41



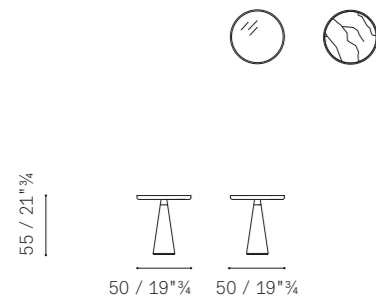
## DUO Pedestal Table — Finishes

**Dimensions:**  
 - ø 50 h 55  
 - ø 80 h 41

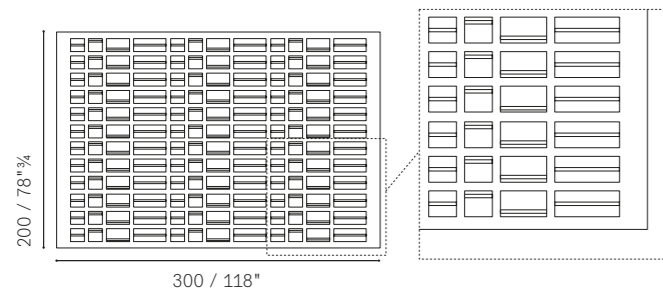
**Structure and top frame. In solid wood**  
 - Ash in a wenge stain  
 - Ash in a moka stain

**Top:**  
 - Semi-gloss Calacatta marble  
 - Coloured glass

## DUO Pedestal Table — Coffee table ø50 h55



## DUO Rug — Rug 300x200 cm



## DUO Rug — Finishes

**Dimensions:**  
 - 200x300 cm  
 - 250x350 cm

**Colours:**  
 - Dusk Blue  
 - Poudre

**Technique.** Rug entirely hand-knotted on wooden looms with an Indo-Tibetan knot.

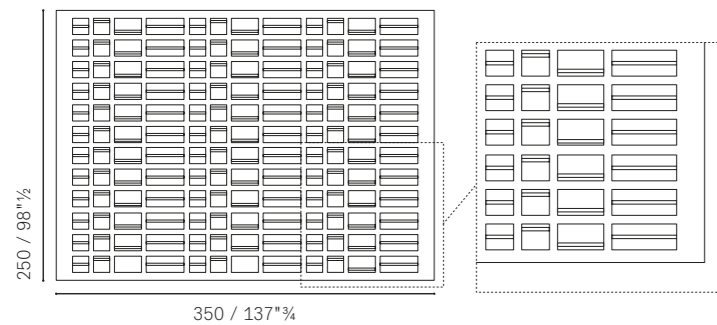
**Quality.** 86,000 knots/m2

**Overall composition (structure and surface).** 80% wool + 20% natural silk.

**Aesthetic details.** All the carpet collections are marked with a hand-sewn leather label with the Poltrona Frau trademark embossed.

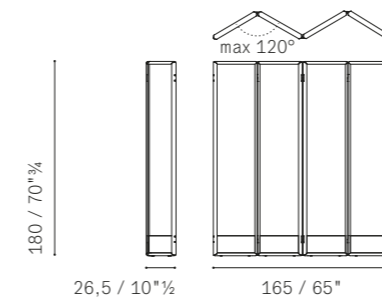
**Sustainably.** Made in India

## DUO Rug — Rug 350x250 cm

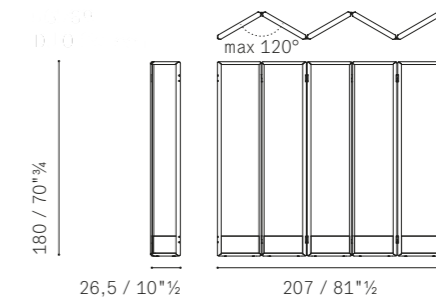


Please note:  
 this catalogue shows only some technical drawings, in order to know all the availabilities please refer to the current price list.

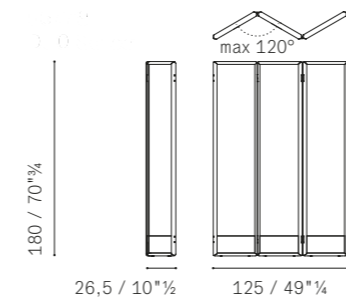
## DUO Screen — Room divider 4 modules



## DUO Screen — Room divider 5 modules



## DUO Screen — Room divider 3 modules



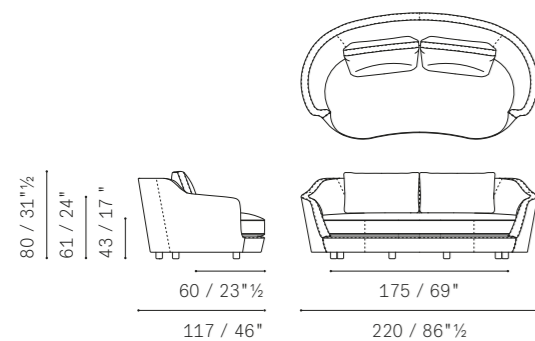
## DUO Screen — Finishes

**Structure.** In solid wood:  
 - Ash in a wenge stain  
 - Ash in a moka stain

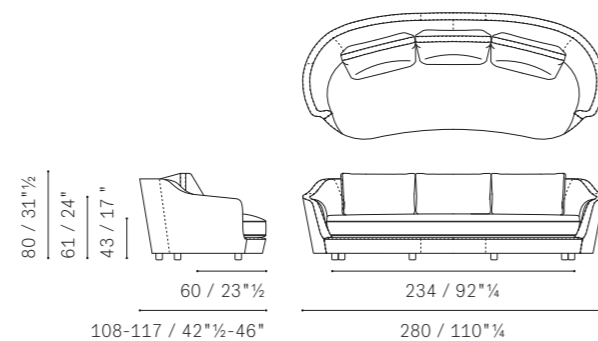
**Covering.** A hollow panel covered in wallpaper:  
 - Puro  
 - Canvas

**Aesthetic details.** The front and rear of the panel can be covered with different finishes.

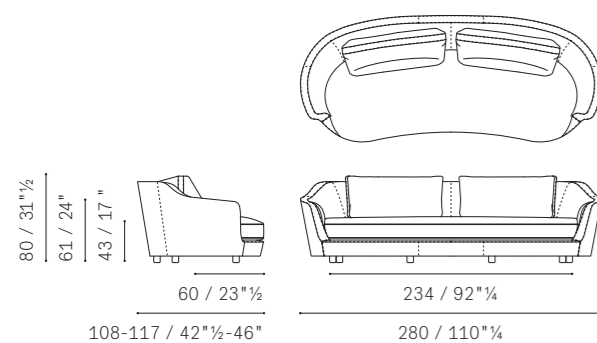
**DUO Sofa** — 2-seater sofa



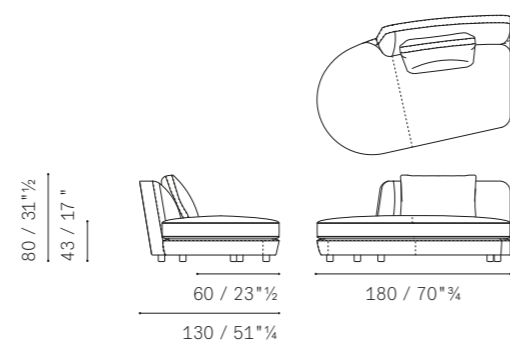
**DUO Sofa** — 3-seater sofa with 3 cushion 50×70 cm



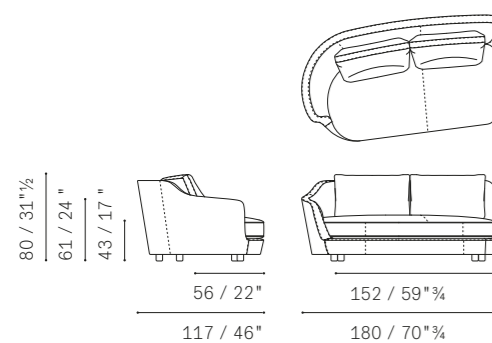
**DUO Sofa** — 3-seater sofa with 2 cushion 100×50 cm



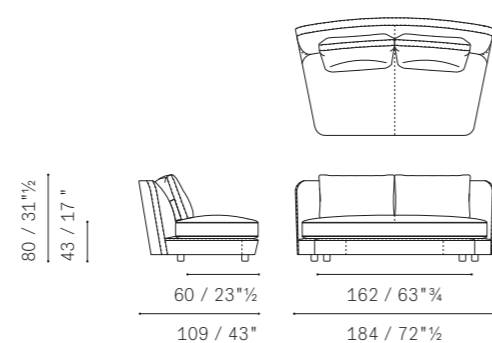
**DUO Sofa** — Curved terminal armchair with bench



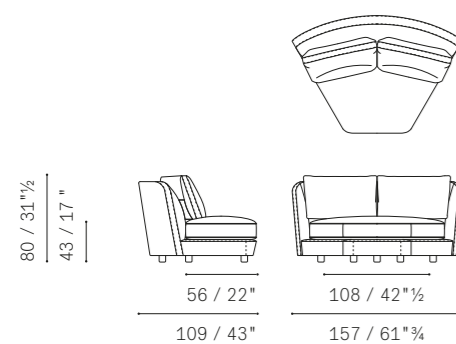
**DUO Sofa** — Curved sectional 2-seater sofa



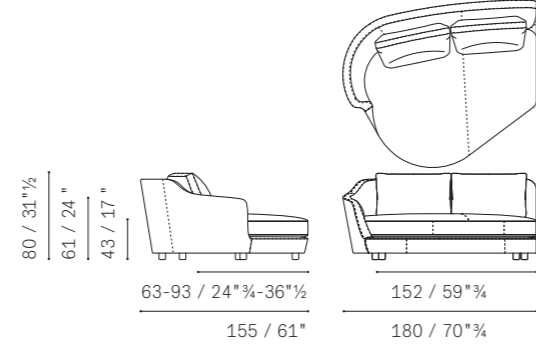
**DUO Sofa** — Curved sectional armless 2-seater sofa



**DUO Sofa** — 60° corner module

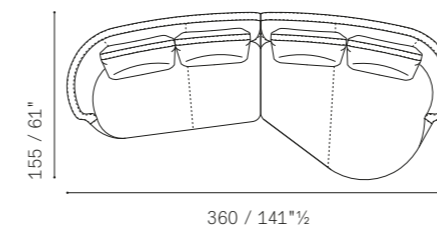


**DUO Sofa** — Curved large sectional chaise-longue

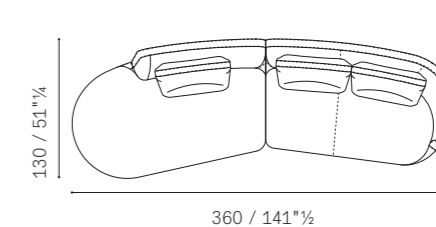


Please note:  
this catalogue shows only some technical drawings, in order  
to know all the availabilities please refer to the current price list.

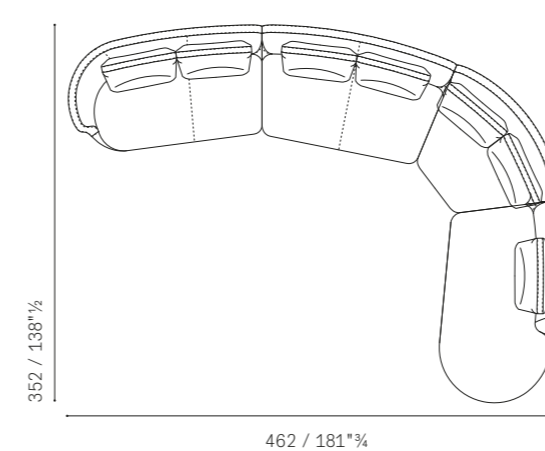
**DUO Sofa** — Composition 1



**DUO Sofa** — Composition 2



**DUO Sofa** — Composition 3



**DUO Sofa** — Finishes

- Upholstery:**
- ColorSphere®
  - ColorSphere®/FABRIC A
  - ColorSphere®/FABRIC B
  - ColorSphere®/FABRIC C
  - ColorSphere®/C.O.M
  - Nest
  - Nest/FABRIC A
  - Nest/FABRIC B
  - Nest/FABRIC C
  - Nest/C.O.M
  - Soul
  - Soul/FABRIC A
  - Soul/FABRIC B
  - Soul/FABRIC C
  - Soul/C.O.M
  - Velvety
  - FABRIC A
  - FABRIC B
  - FABRIC C
  - C.O.M

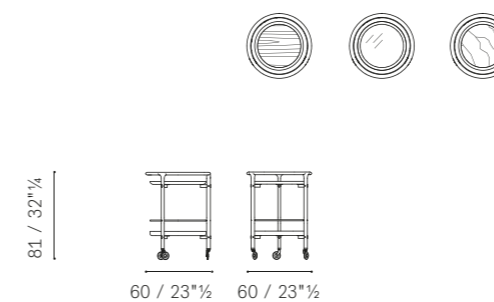
**Removability.** The fabric upholstery is totally removable. The leather upholstery is removable only for the seat cushions and backrest.

**Aesthetic details.** Stitching are tone-on-tone.

**Feet.**

- Cylindrical Ø60 mm in black anodized aluminium
- (OPTIONAL WITH SURCHARGE) knife shaped in satin-burnished aluminium.

**DUO Trolley** — Trolley



**DUO Trolley** — Finishes

**Structure.** In solid wood

- Ash in a wenge stain
- Ash in a moka stain

**Upper top in glass:**

- Transparent
- Bronzed
- Smoked

**Lower top:**

- Ash in a wenge or moka stain (same finish as the one chosen for the structure)
- Coloured glass
- Semi-gloss Calacatta marble

**CONTACTS****Poltrona Frau S.p.A**

a socio unico

Sede legale in Meda (MB)

Via Luigi Busnelli 1

20821 Italy

Sede operativa in Tolentino (MC)

Via Sandro Pertini 22

62029 Italy

Tel. +39 0733 909.1

Fax +39 0733 971600

[www.poltronafrau.com](http://www.poltronafrau.com)**CREDITS**

Project commissioned by the

Marketing &amp; Communications

dept. of Poltrona Frau spa

Graphic design

**studio FM milano**

Creative direction

**K-448**

Styling

**Sarah de Beaumont**

Lifestyle Photography

**Giulio Ghirardi**

Still-life Photography

**Alessio D'Aniello**

Post production / Color selection

**Pan Group Milano**

Printing

**OGM Padova****© POLTRONA FRAU 2023**

Poltrona Frau reserves the right to modify the products and the components in this price list, without any prior notice.

Company with certified Quality Management System in accordance with ISO 9001, certified Environmental Management System in accordance with ISO 14001, certified Occupational Health and Safety Management System in accordance with BS OHSAS 18001, certified Chain of Custody System in accordance with Forest Stewardship Council® FSC-STD-40-004 (FSC-C153281).

Company subject to management and co-ordination of Haworth Italy Holding S.r.l.





